



CE

Shielded circulation pump

50Hz DPC SERIES

EXCELLENT ENERGY SAVING
 FAST AND EASY INSTALLATION
 SIMPLE OPERATION
 EASY RUNNING
 CONSTANT PRESSURE
 BUILT IN PID CONTROLLER



- Safe and reliable
- Energy-efficient
- Convenient humanization



SHANGHAI SINO-KOREA DOOCH PUMP MFG CO.,LTD

dooch
 www.doochpump.com.cn

DPC Series

Hot Water Circulation Pump

dooch

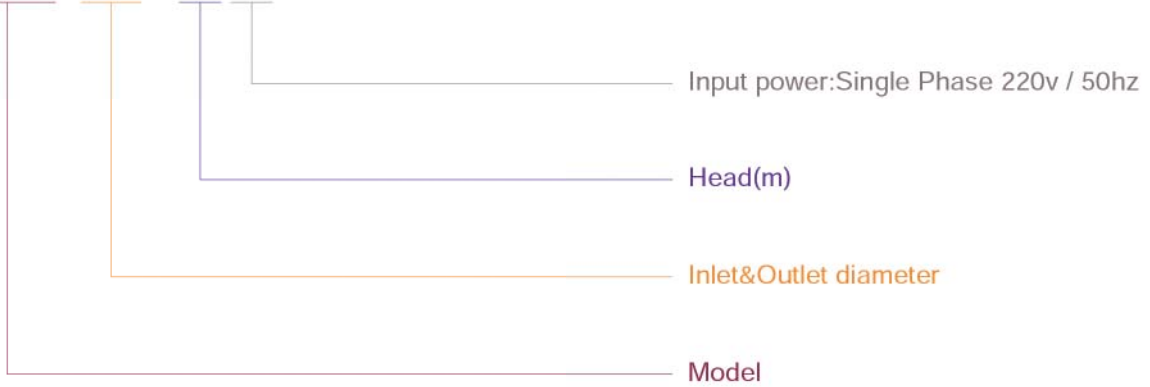
CONTENTS

Overview	01-01
Datasheet	01-01
Product features	01-01
DPC 25/32/40 Series	
Product features, applications	02-02
Performance curve, external dimension	03-07
DPC 50 Series	
Product features, applications	08-08
Performance curve, external dimension	09-11
Applied range	12-12



● Overview

DPC 25 - 6 M



● Datasheet

Model	DPC25-4M	DPC25-6M	DPC32-6M	DPC32-8M	DPC40-8M	DPC50-12M	DPC50-15M	DPC50-18M
Input power	Single phase 220V / 50Hz							
Applicable medium	Cold and Hot water, the maximum ratio of water to ethanol is 1:1							
Motor	Protection class IP44 ; Insulation class F							
Maximum head (m)	4.5	6	6	8	8.5	12	15	18
Maximum flow(m ³ /hr)	3.42	3.6	3.6	9.6	9	11	12	20
Inlet&Outlet diameter	25A	25A	32A	32A	40A	50A	50A	50A
Third speed adjustment	○	○	○	○	○	X	X	X

● Product features



High temperature resistance (-10°C~+110°C)



High pressure resistance (6~10bar)



Third speed adjustment (Except DPC 50 Series)



Easy installation



Light and quiet

● Product features



High temperature resistance
(-10°C~+110°C)



High pressure resistance
(Max : 6bar)



Third speed adjustment



Easy installation



Light and quiet

● Usage occasions

- Floor heating circulation system
- Air conditioning circulation system
- Domestic hot water circulation system
- Boiler, solar circulating water supply system

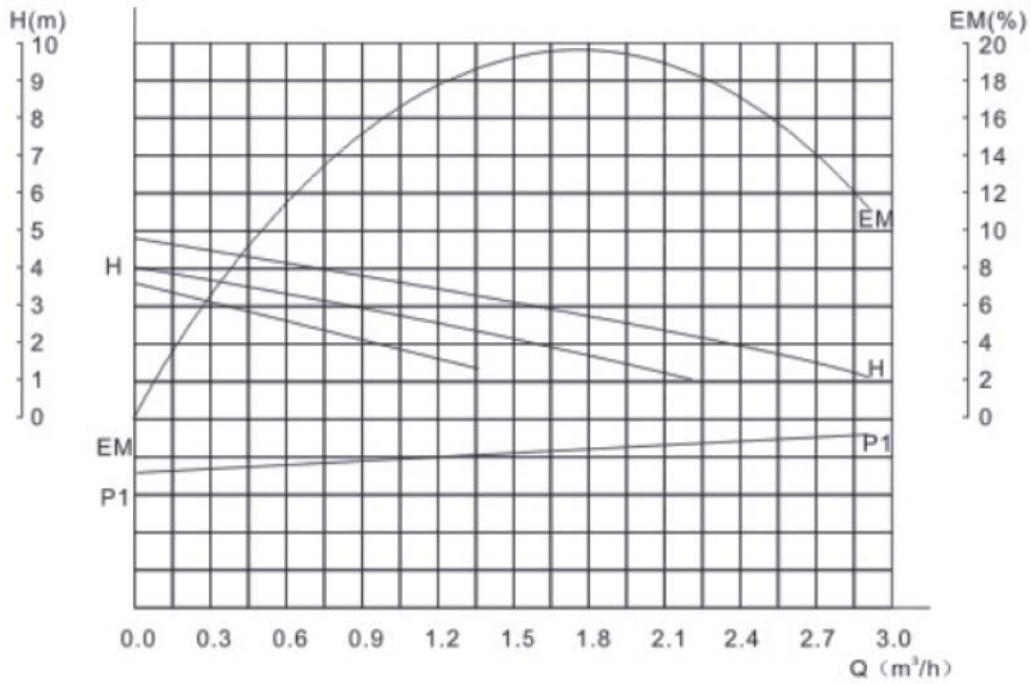


*Union connection installation indication



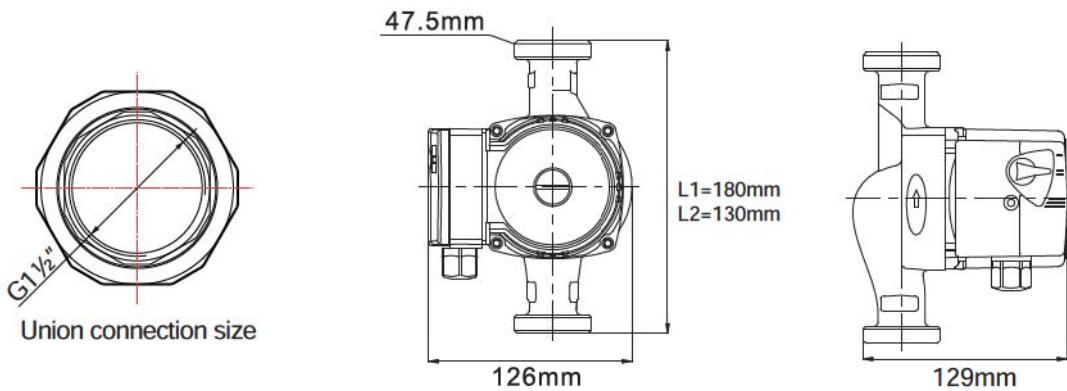
*Inlet&outlet flange interface optional
(Only for models with pump length ≤150mm)

● Performance curve



● Dimensions

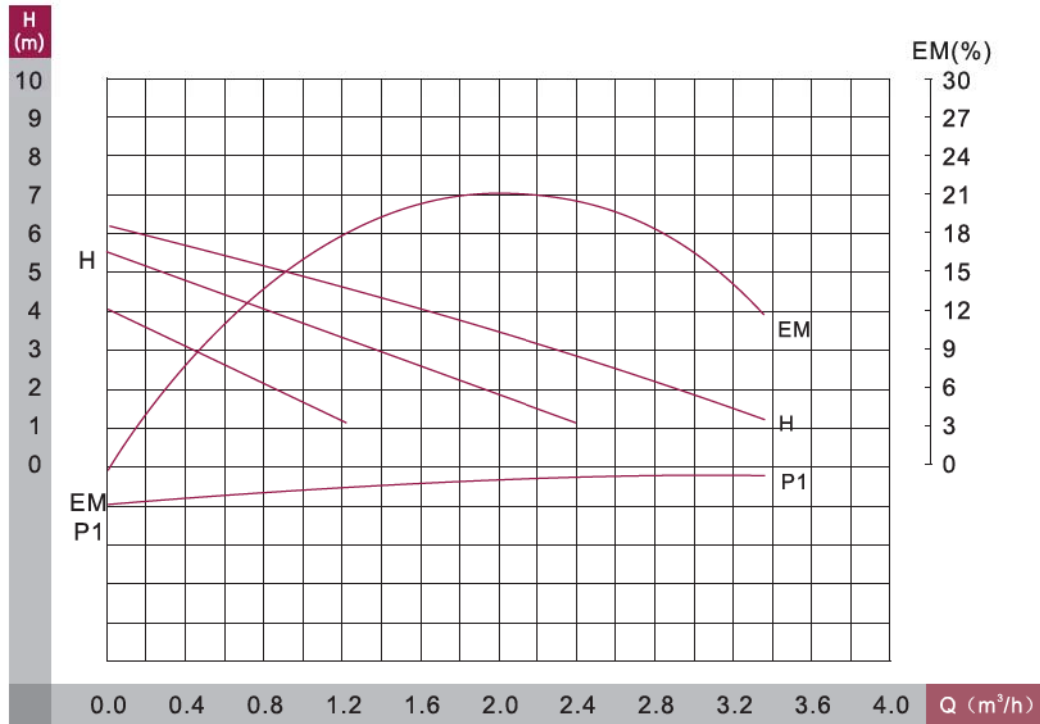
(Unit: mm)



Model	Input power	Power (W)	Maximum Head (m)	Maximum Flow (m³/hr)	Inlet/outlet diameter (mm, inch)
DPC 25-4M	Single phase 220V / 50Hz	72	4.5	3.42	40(1½")

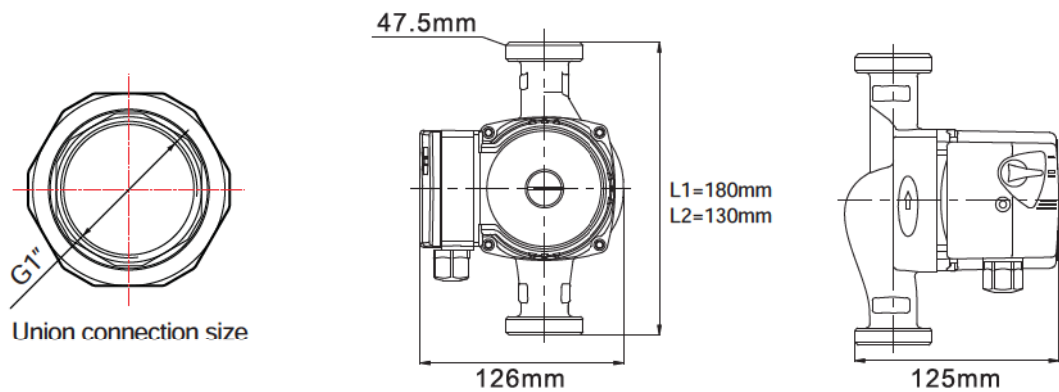
● Performance curve

(Unit: mm)



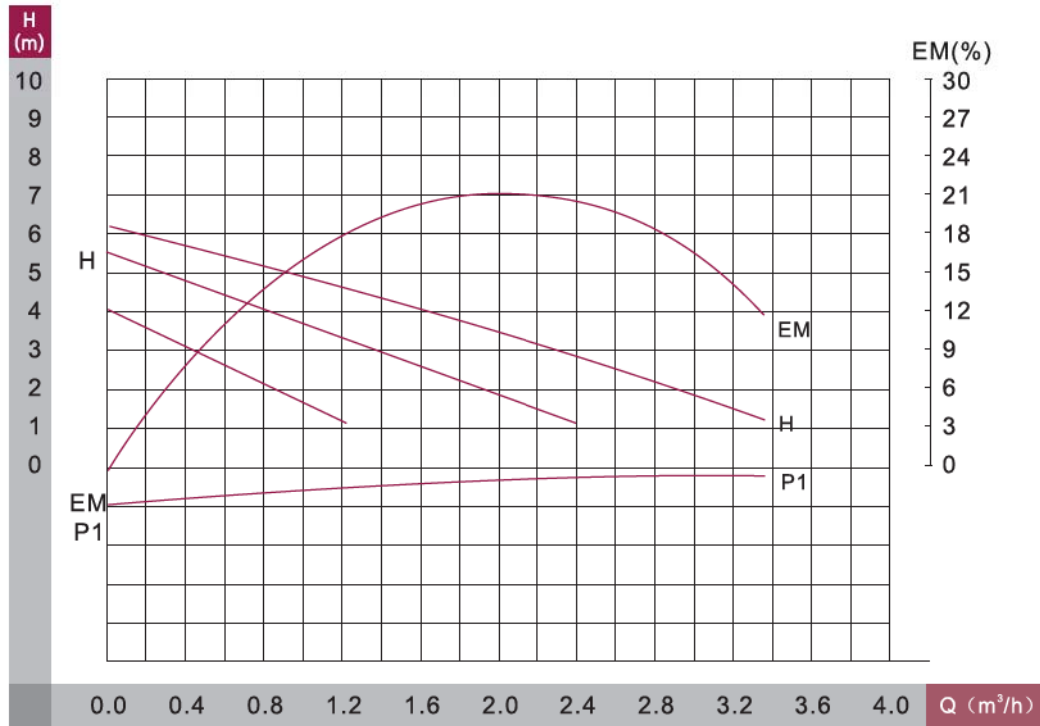
● Dimensions

(Unit: mm)



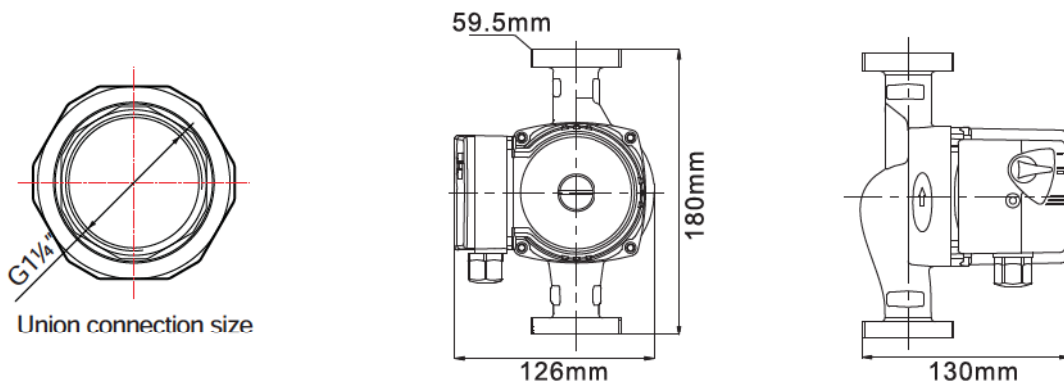
Model	Input power	Power (W)	Maximum Head (m)	Maximum Flow (m³/hr)	Inlet/outlet diameter (mm, inch)
DPC 25-6M	Single phase 220V / 50Hz	80	6	3.6	25(1")

● Performance curve



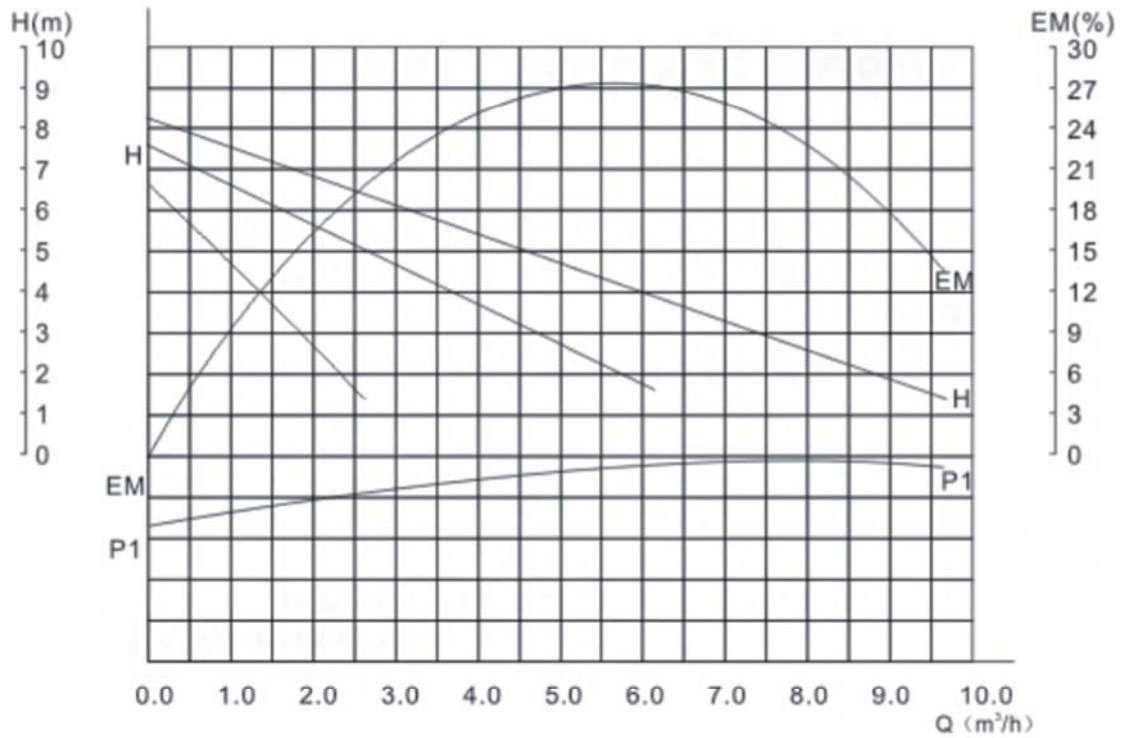
● Dimensions

(Unit: mm)



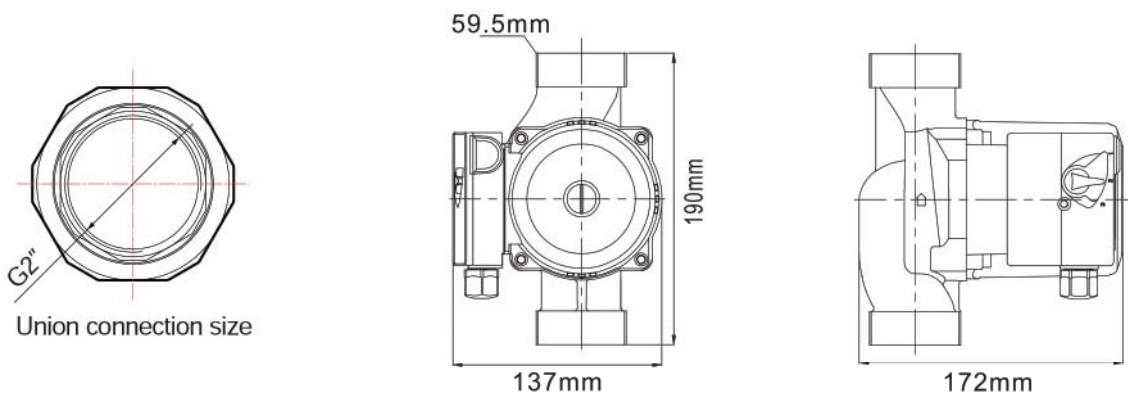
Model	Input power	Power (W)	Maximum Head (m)	Maximum Flow (m³/hr)	Inlet/outlet diameter (mm, inch)
DPC 32-6M	Single phase 220V / 50Hz	80	6	3.6	32(1¼")

● Performance curve



● Dimensions

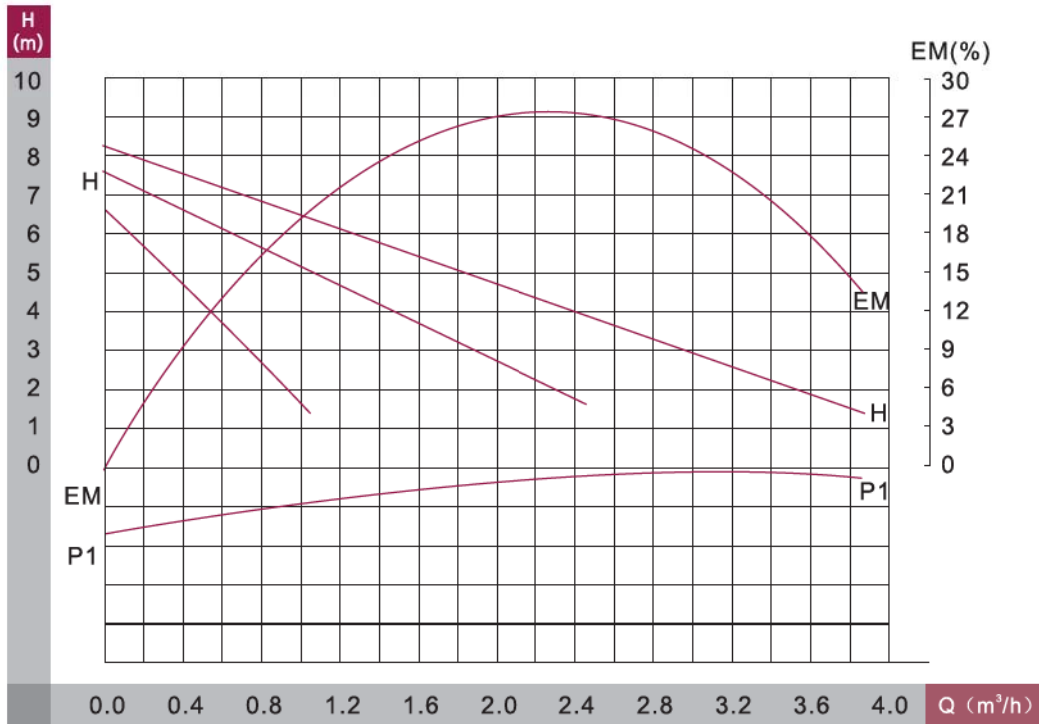
(Unit: mm)



Model	Input power	Power (W)	Maximum Head (m)	Maximum Flow (m³/hr)	Inlet/outlet diameter (mm, inch)
DPC 32-8M	Single phase 220V / 50Hz	270	8	9.6	50 (2")

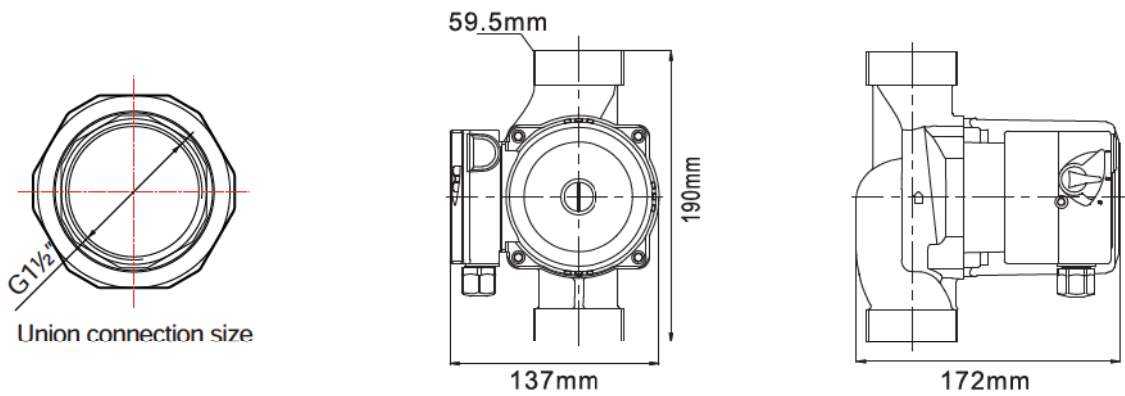
● Performance curve

(Unit: mm)



● Dimensions

(Unit: mm)



Model	Input power	Power (W)	Maximum Head (m)	Maximum Flow (m³/hr)	Inlet/outlet diameter (mm, inch)
DPC 40-8M	Single phase 220V / 50Hz	270	8	9	40(1½")

● Product features



High temperature resistance
(-10°C~+110°C)



High pressure resistance
(Max:10bar)



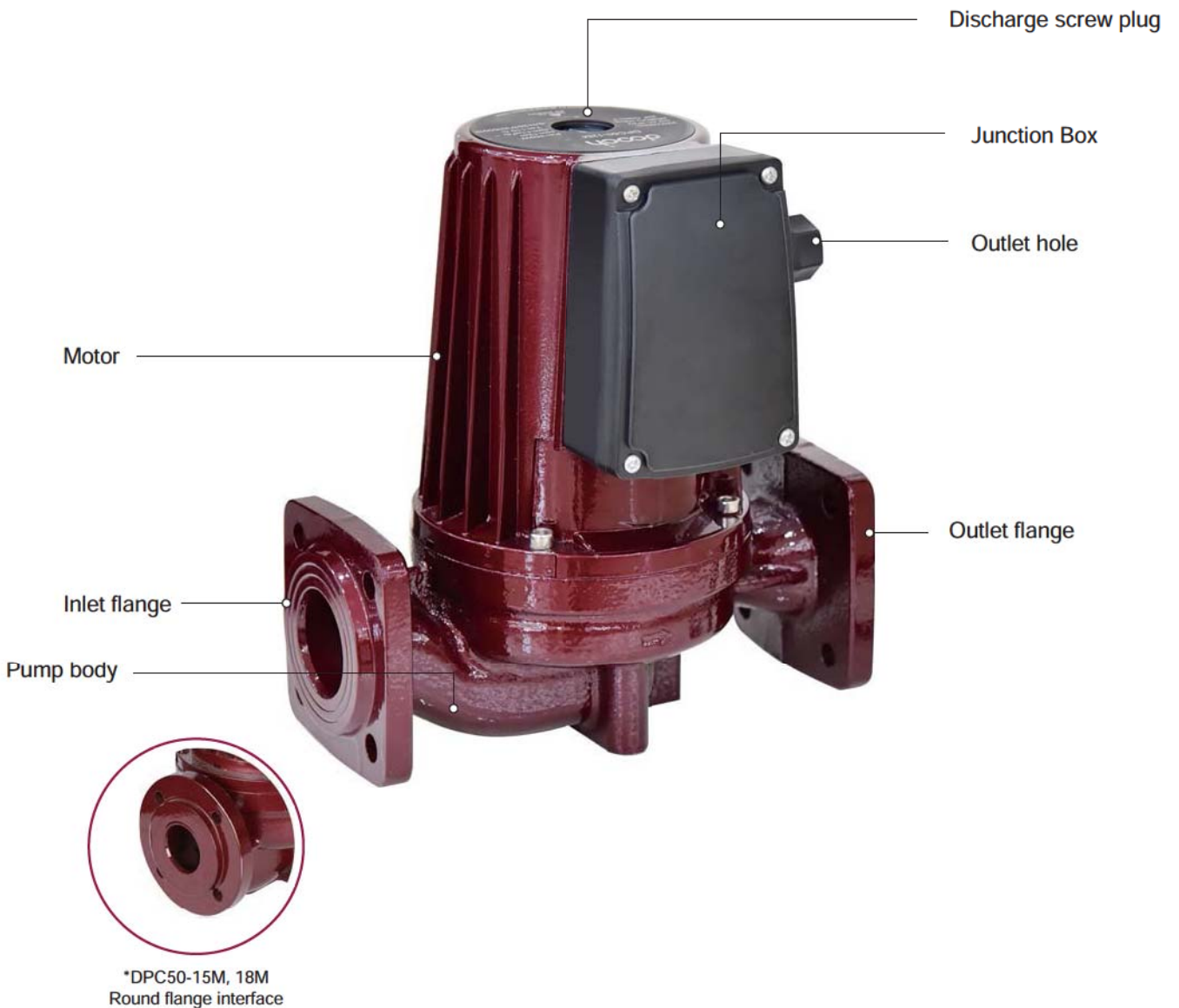
Easy installation



Light and quiet

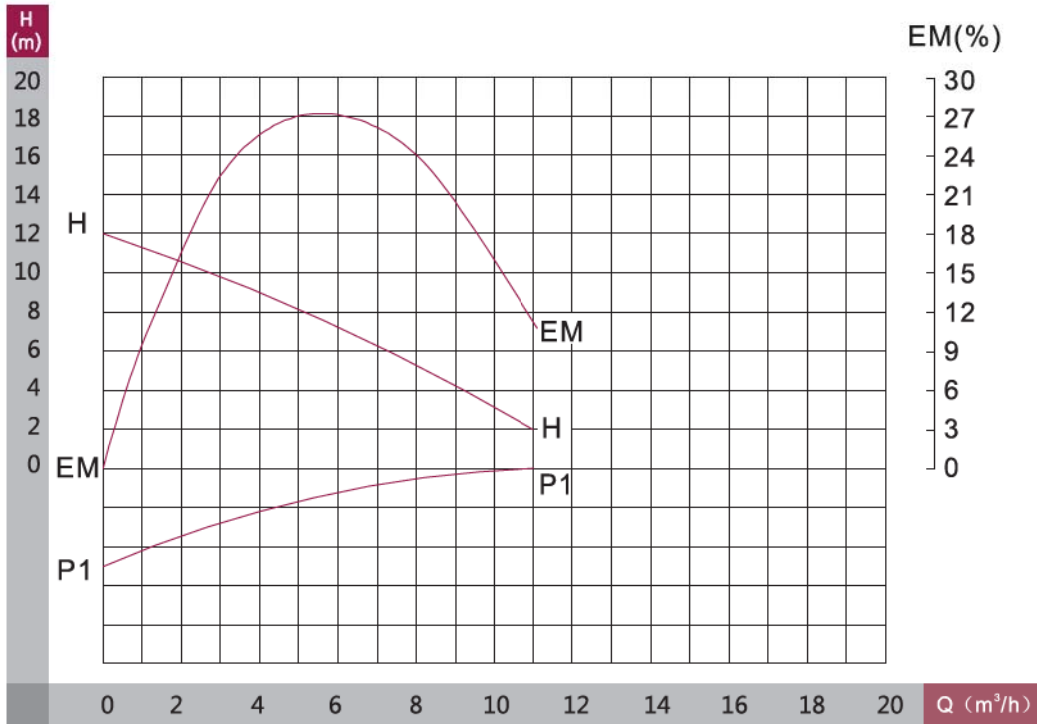
● Applications

- Floor heating circulation system
- Domestic hot water circulation system
- Air conditioning circulation system
- Boiler, solar water supply circulation system



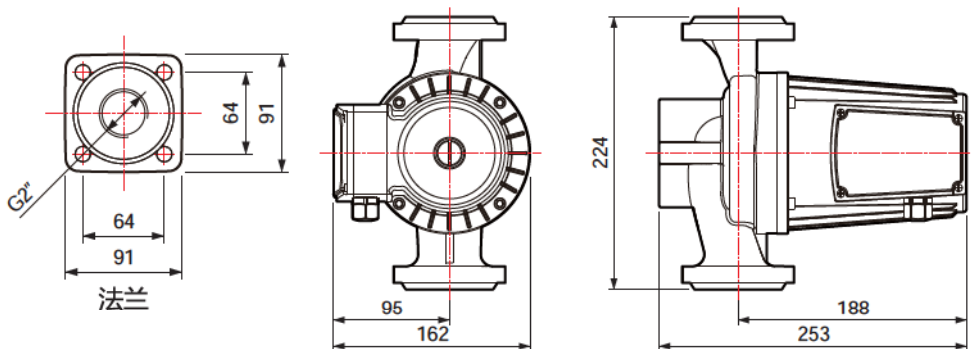
● Performance curve

(Unit: mm)



● Dimensions

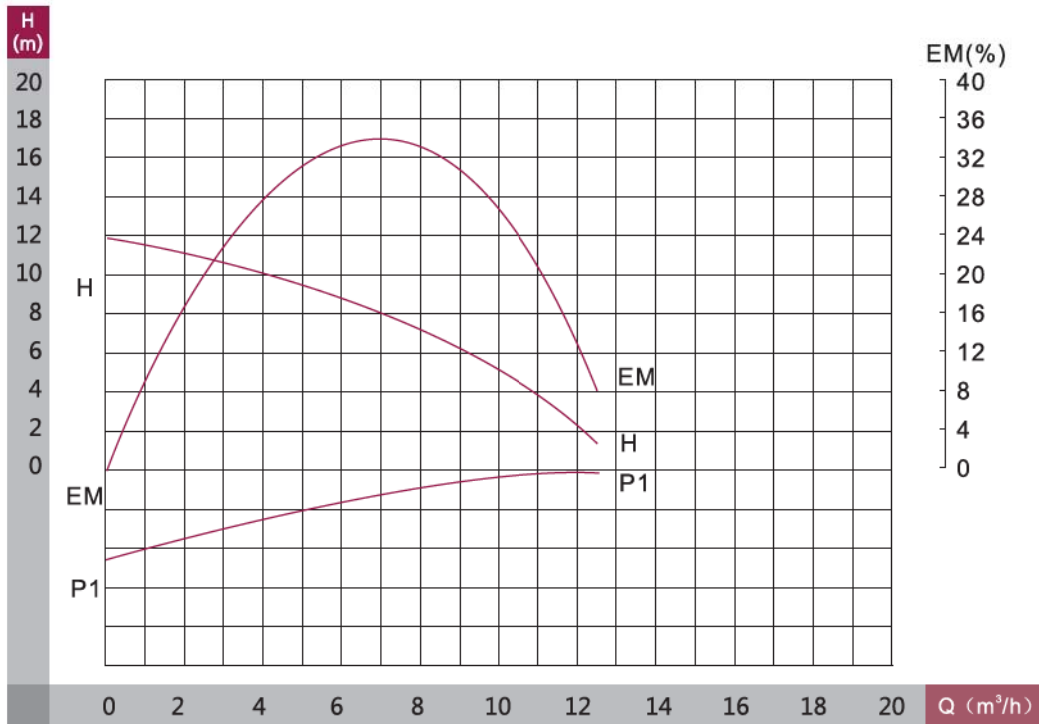
(Unit: mm)



Model	Input power	Power (W)	Maximum Head (m)	Maximum Flow (m³/hr)	Inlet/outlet diameter (mm, inch)
DPC 50-12M	Single phase 220V / 50Hz	350	12	11	50(2")

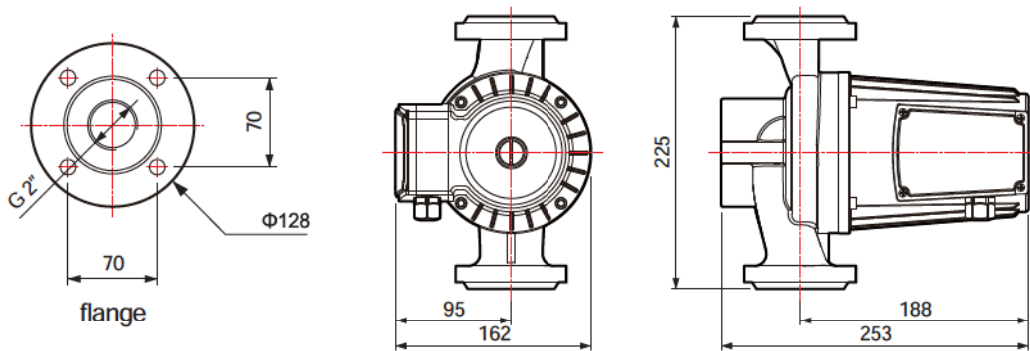
● Performance curve

(Unit: mm)



● Dimensions

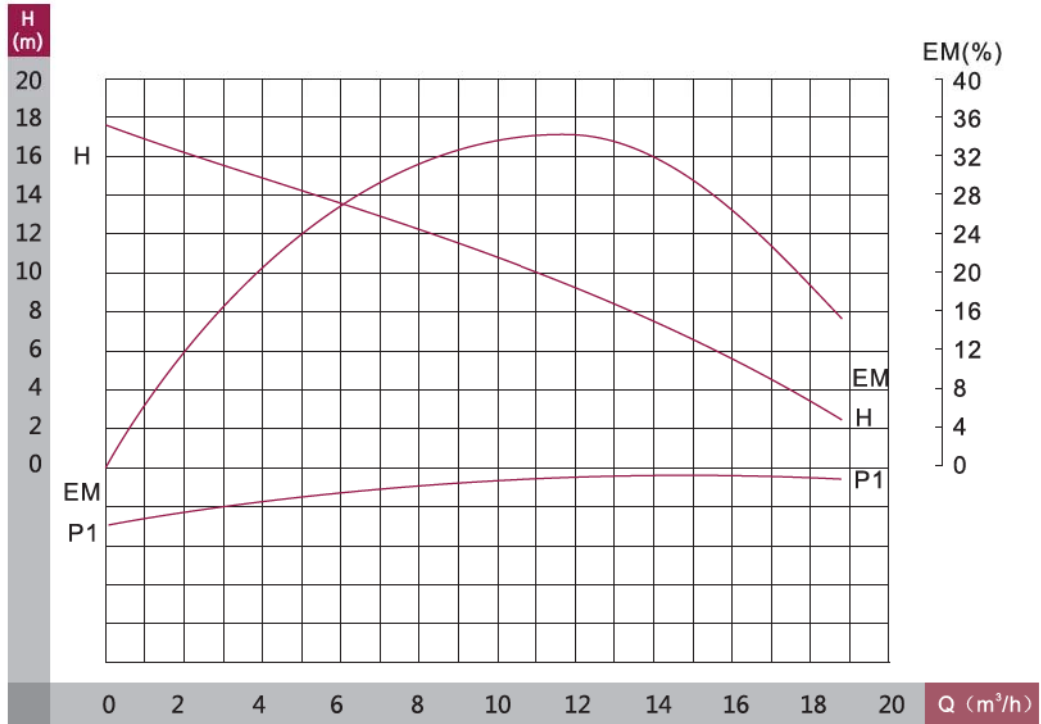
(Unit: mm)



Model	Input power	Power (W)	Maximum Head (m)	Maximum Flow (m³/hr)	Inlet/outlet diameter (mm, inch)
DPC 50-15M	Single phase 220V / 50Hz	550	15	12	50(2")

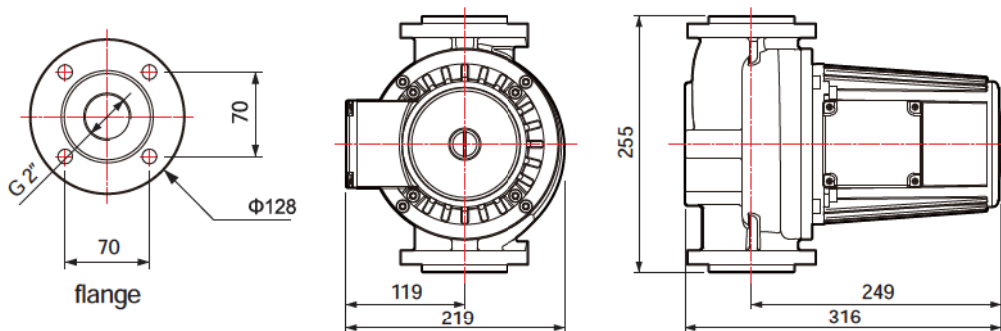
● Performance curve

(Unit: mm)



● Dimensions

(Unit: mm)



Model	Input power	Power (W)	Maximum Head (m)	Maximum Flow (m³/hr)	Inlet/outlet diameter (mm, inch)
DPC 50-18M	Single phase 220V / 50Hz	750	18	20	50(2")

● Field of application



Wall-mounted furnace
pressurized circulation



Room heating



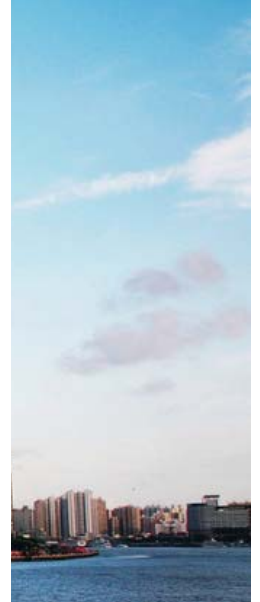
Floor heating circulation



Small boiler circulation



Radiator circulation



dooch
DOOCH CO., LTD.

SHANGHAI SINO-KOREA DOOCH PUMP MFG CO.,LTD

NO.239 ZhangLiantang Road, Liantang Industrial Park, Qingpu District,Shanghai City,China

TEL: 021-67679390 Fax: 021-67679396

Service Hotline : 400-622-6271

www.doochpump.com.cn